

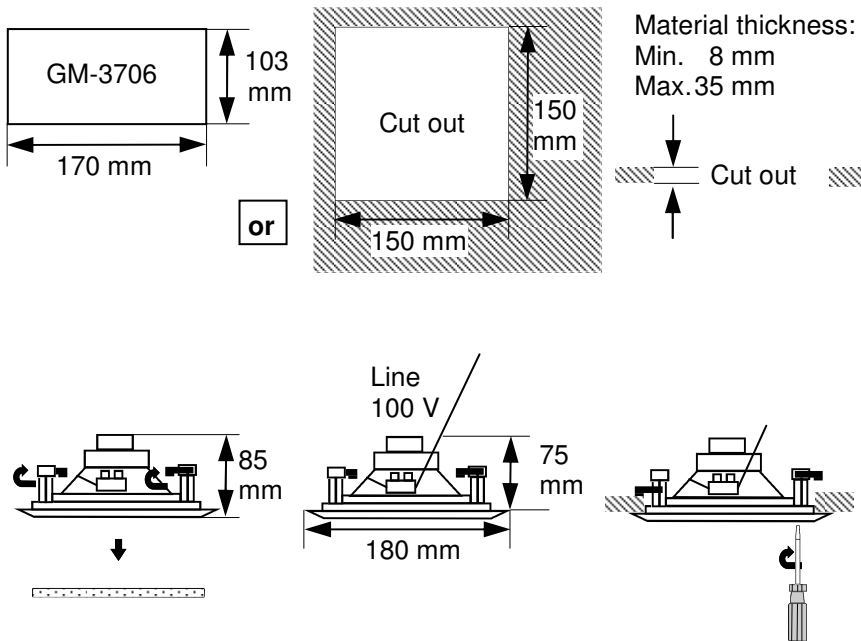
GM-3700 Square Ceiling Loudspeaker Technical Specifications



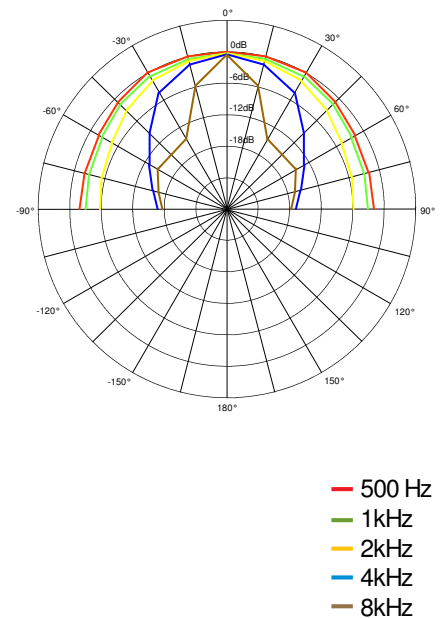
Technical specifications

Loudspeaker:	1 way
Frequency response (-10dB):	110 - 20000 Hz
Sensitivity (1W at 1m):	91.0 dB
Max. sound level (at 1m):	104.0 dB
Adaptation on 100 V line:	black = 0 V -> red blue = 6 W white = 3 W -> brown yellow = 1.5 W
Transformer impedance:	1666 / 3333 / 6666 Ohm
Maximum nominal power:	20.0 W
Nominal impedance:	8 Ohm
Coverage angle at -6dB:	180° (h) x 180°(v) @ 2KHz
Dimensions (W x H x D):	180 x 180 x 75 mm
Weight:	0.9 kg

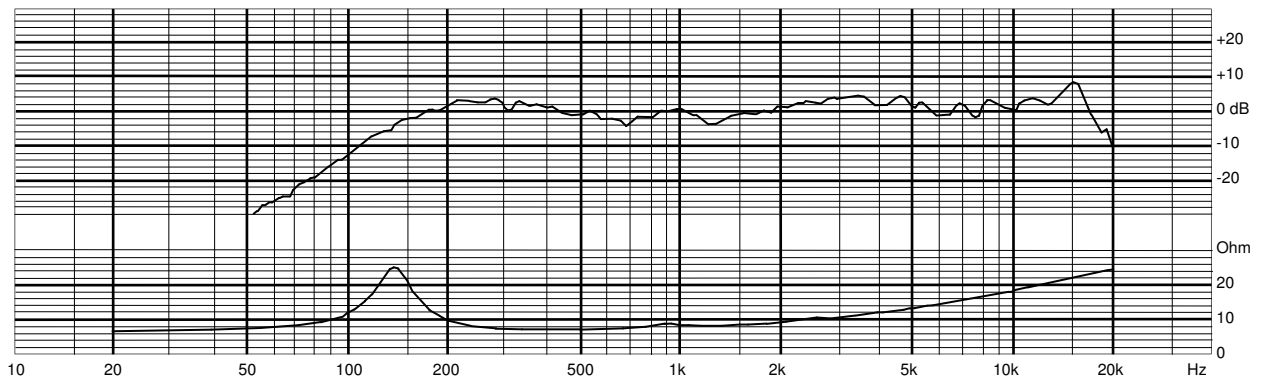
Dimensions



Polar Pattern



Characteristic Diagram



g+m elektronik ag
CH-9245 Oberbüren
T +41 (0)71 955 90 10
F +41 (0)71 955 90 20

Tochterfirmen im Ausland:
g+m elektroakustik GmbH D-64646 Heppenheim
g+m électronique S.A.R.L. F-21202 Beaune
g+m audio-technologie B.V. NL-4824 AT Breda

swiss made  **elektronik ag**