

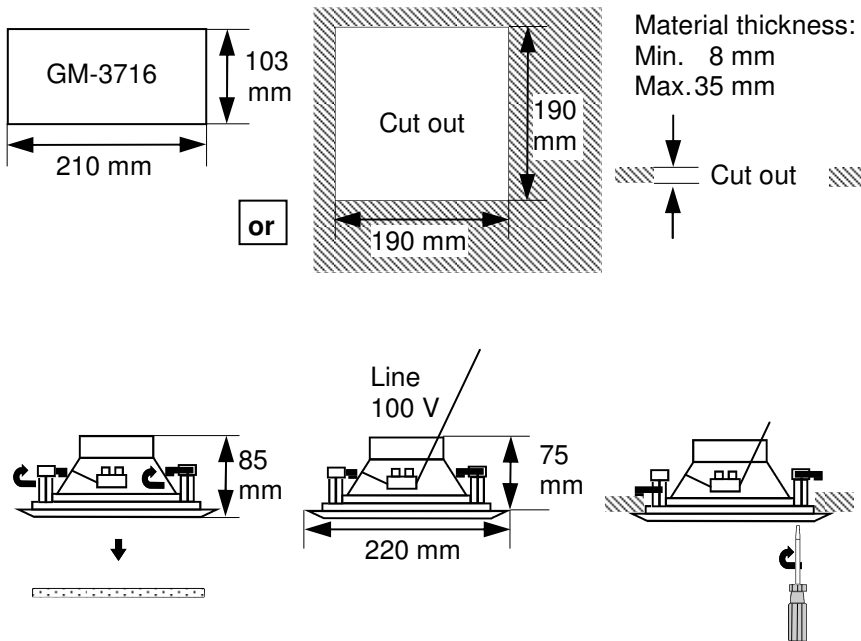
# GM-3710 Square Ceiling Loudspeaker Technical Specifications



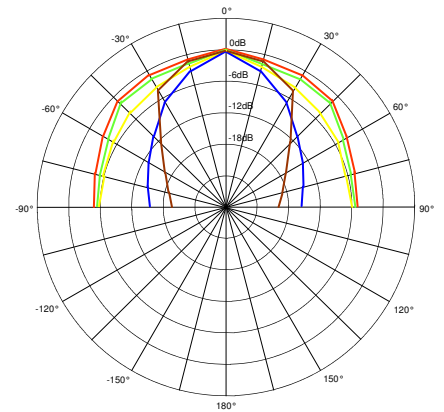
## Technical specifications

Loudspeaker:	2 way
Frequency response (-10dB):	62 - 20000 Hz
Sensitivity (1W at 1m):	88.0 dB
Max. sound level (at 1m):	102.8 dB
Adaptation on 100 V line:	black = 0 V -> red blue = 6 W -> brown white = 3 W yellow = 1.5 W
Transformer impedance:	1666 / 3333 / 6666 Ohm
Maximum nominal power:	30.0 W
Nominal impedance:	8 Ohm
Coverage angle at -6dB:	180° (h) x 180°(v) @ 2KHz
Dimensions (W x H x D):	220 x 220 x 75 mm
Weight:	1.4 kg

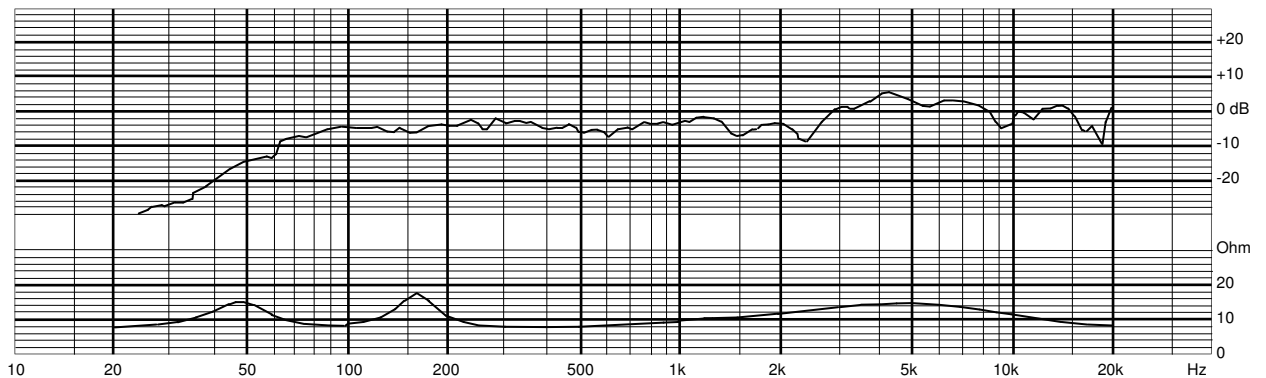
## Dimensions



## Polar Pattern



## Characteristic Diagram



g+m elektronik ag  
CH-9245 Oberbüren  
T +41 (0)71 955 90 10  
F +41 (0)71 955 90 20

Tochterfirmen im Ausland:  
g+m elektroakustik GmbH D-64646 Heppenheim  
g+m électronique S.A.R.L. F-21202 Beaune  
g+m audio-technologie B.V. NL-4824 AT Breda

swiss made **g+m** elektronik ag