

Twin loudspeaker system for particularly stringent quality and design demands:

- Twin loudspeaker (**2 systems!**), radiating to both sides
- High efficiency, modern and timeless design
- Standard colour = White (RAL 9010)
- **Replaces 2 conventional loudspeakers and cuts cable and installation costs by around 40 - 50 %**
- Extremely easy installation, without visible screws
- Any special colour (RAL code) can be implemented at short notice at slight extra charge (depending on quantity)

Main Office:
g+m elektronik ag
CH-9245 Oberbüren
Tel. ++41 · (0)71 · 955 90 10
Fax ++41 · (0)71 · 955 90 20

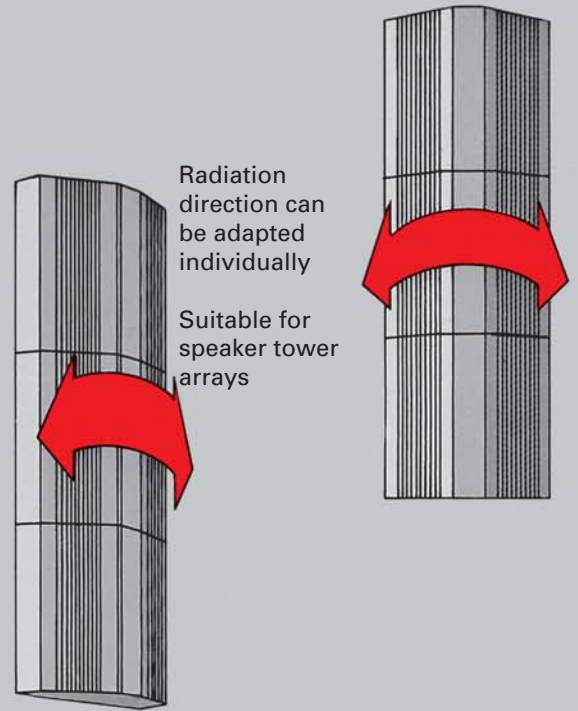
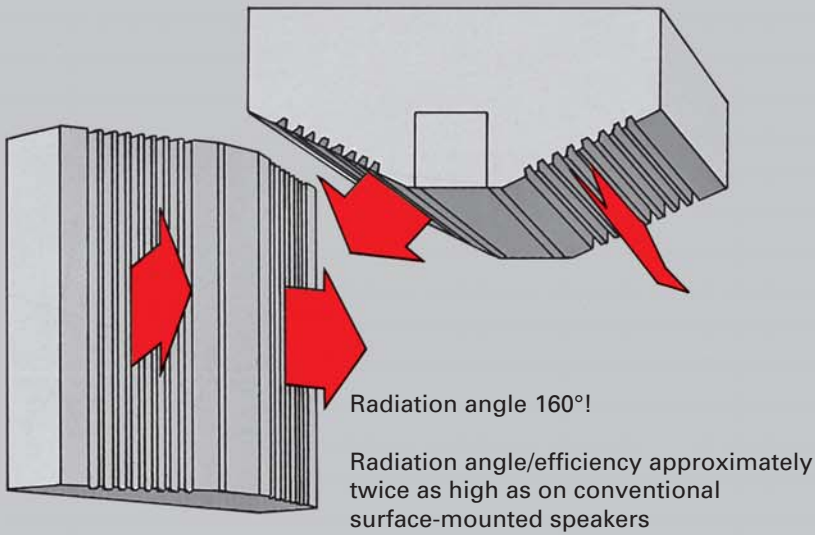
Regional Swiss Offices:

5504 Othmarsingen	Tel. 062 · 896 02 08	Fax 062 · 896 02 68
2000 Neuchâtel	Tel. 032 · 731 29 96	Fax 032 · 731 33 59
6814 Lamone	Tel. 091 · 600 10 10	Fax 091 · 611 90 09

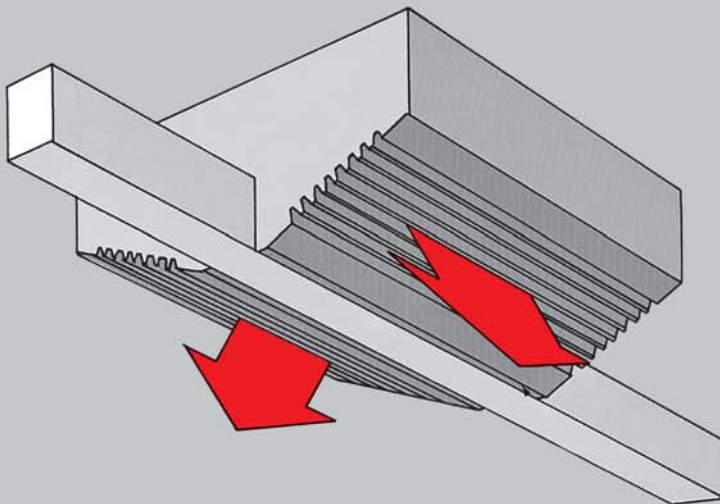
Daughter Companies abroad:

g+m elektroakustik GmbH	D-64602 Bensheim
g+m électronique S.A.R.L.	F-21202 Beaune
g+m audio-technologie B.V.	NL-4814 Breda

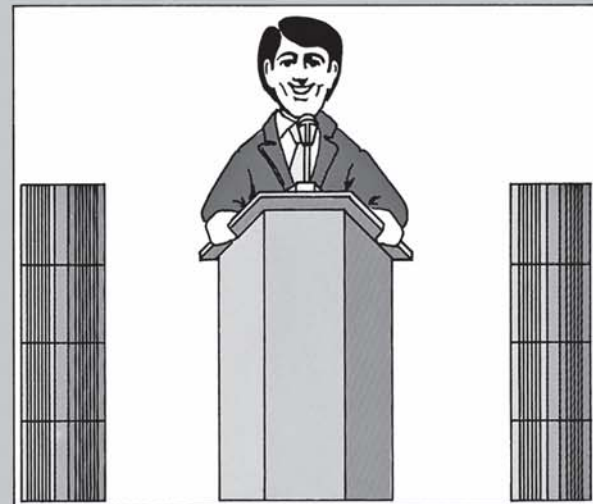
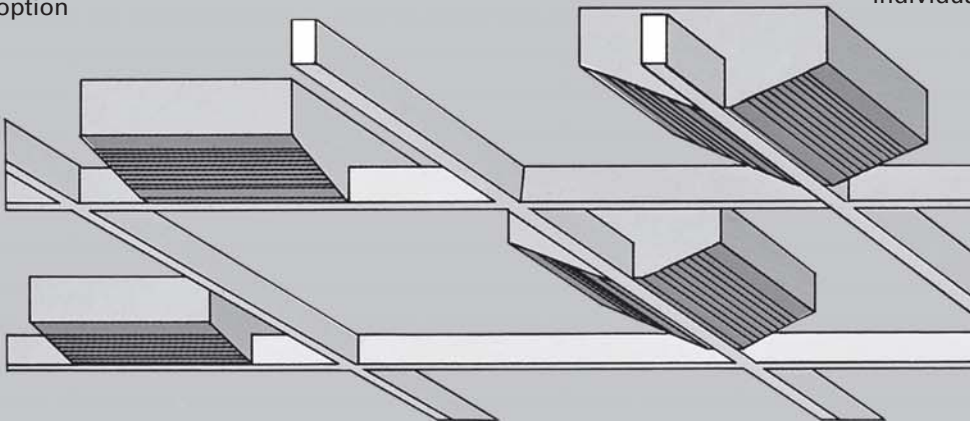
Possible applications - Characteristic of the GM-4500



Combined with busbar as "saddle speaker"



Mounting on ceiling grid, permanently mounted or also flexible for exhibitions for instance with individual volume adaptation option

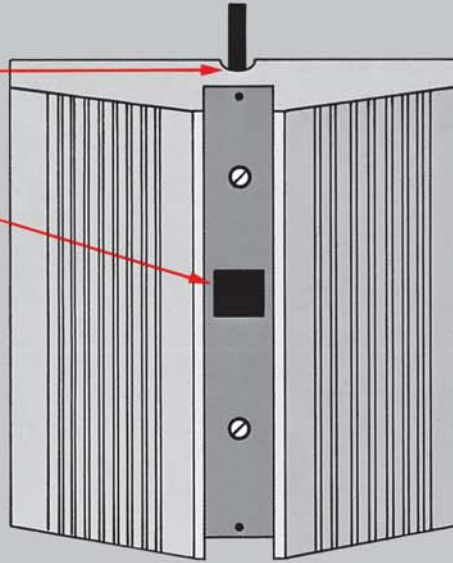


Optimum, uniform sound coverage to listeners at the front, centre and rear thanks to various adaptation options of the individual units.

Available in all RAL colours
(at slight extra charge)

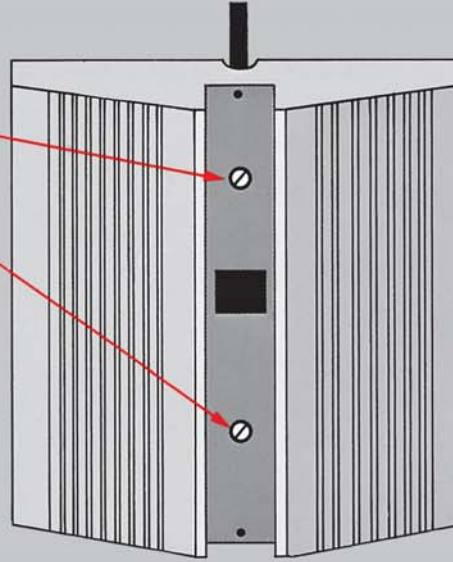
.... and this is how simple and quick it is to install the new GM-4500:

- Break out conduit tab
- Insert cable and wire to terminal



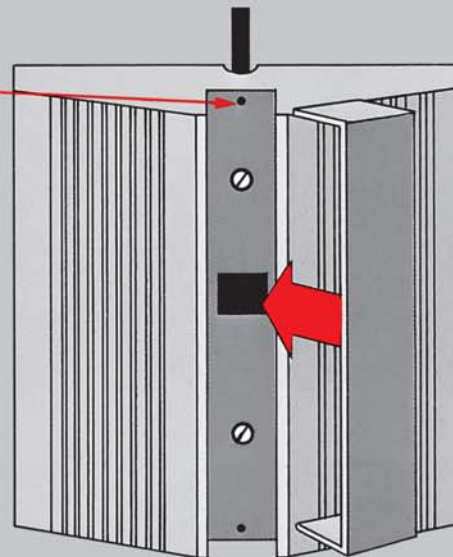
Cables may enter from any of the 4 sides

- Secure case with 2 screws

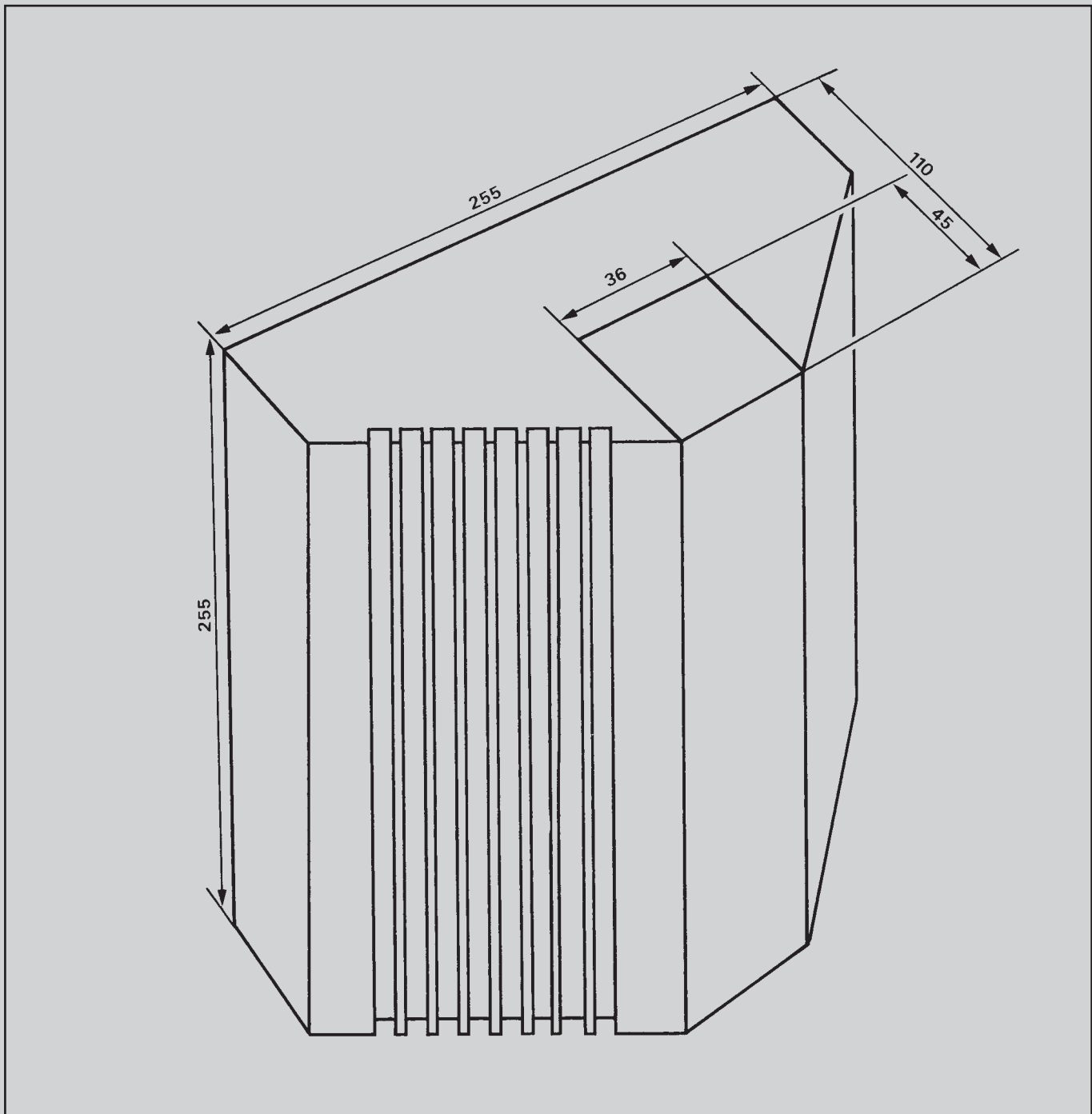


No outlet receptacle required!

- Engage cover
- Installation complete



No visible screws!



Technical data:

Power handling capacity:	10/15 W
Frequency range:	80 - 15,000 Hz
Connection:	100 V
Power connection:	10 / 5 / 2.5 / 1.25 W RMS
Weight:	2.5 kg

Models:

GM-4500	with integrated 100 V transformer
GM-4500-1	ditto, steam-proof version

*Akustik- und Uhrenanlagen, Audio-Technik, profess. Video
 Sonorisations et Horloges, Audio-Technique, Vidéo profess.
 Sound-Systems and Time-Distribution, profess. Video*



Main Office:
g+m elektronik ag
 CH-9245 Oberbüren
 Tel. ++41 · (0)71 · 955 90 10
 Fax ++41 · (0)71 · 955 90 20

Regional Swiss Offices:

5504 Othmarsingen	Tel. 062 · 896 02 08	Fax 062 · 896 02 68
2000 Neuchâtel	Tel. 032 · 731 29 96	Fax 032 · 731 33 59
6814 Lamone	Tel. 091 · 600 10 10	Fax 091 · 611 90 09

Daughter Companies abroad:

g+m elektroakustik GmbH	D-64602 Bensheim
g+m électronique S.A.R.L.	F-21202 Beaune
g+m audio-technologie B.V.	NL-4814 Breda